

Dynamic. Sleek. Efficient. Flexible.

# splitty



#### Designers

Kenneth Ng & Edmund Ng

Red Dot Design Award 2018

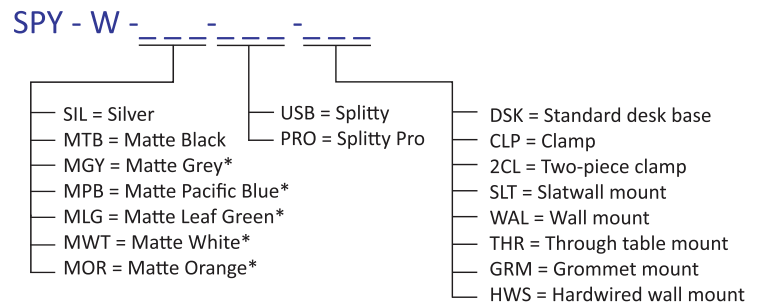
iF Design Award 2018

Best of NeoCon Gold 2017

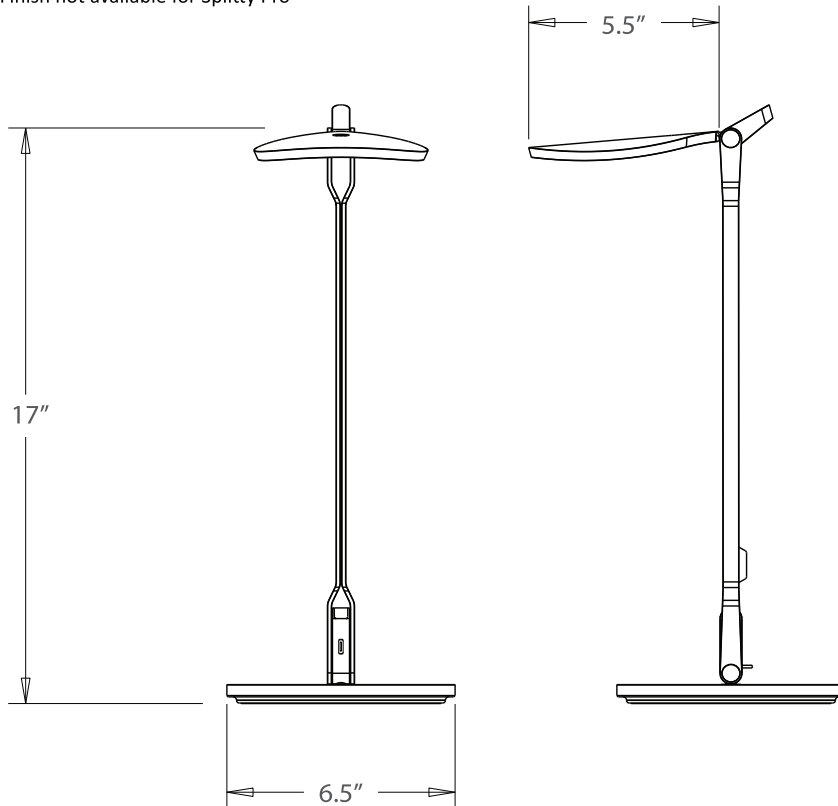
Interior Design Best of Year Honoree 2017

Splitty gets its name from its unique joint design and is one of the most flexible lights in the Koncept collection. When illuminated, the wide LED head casts an even glow thanks to the fully diffused light panel. Koncept designers perfected the diffused light source with hidden LEDs so that the lamp performs as a radiant ambient light as well as a functional task light. Multiple mounting options can free up desk space and a discreet USB port allows users to charge most phones or tablets. Splitty Pro features a built-in occupancy sensor to maximize energy efficiency.

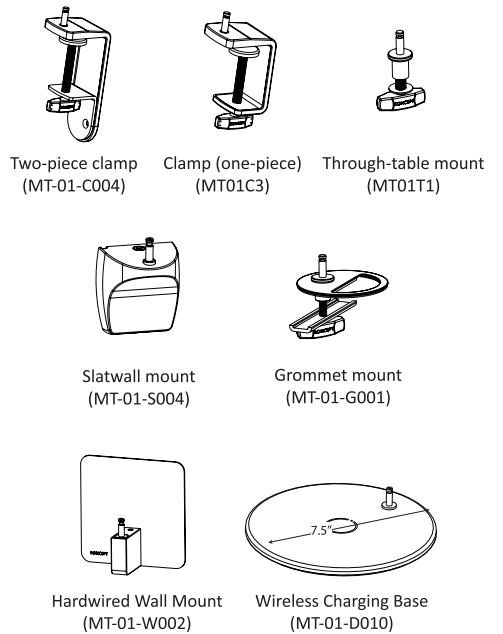
Lumens: 500  
 Energy Consumption: 5.8 W  
 Rated Lifespan: 50,000 hours  
 Color Temperature: Warm (3,500 K)  
 Color Rendering Index (CRI) : 82  
 Brightness Adjustability: Continuous Dimming  
 Standard Finishes: Silver, Matte Black, Matte Grey\*, Matte White\*,  
 Matte Pacific Blue\*, Matte Leaf Green\*,  
 Matte Orange\*  
 Material: Aluminum, plastic  
 USB port: Built-in; 1A (Splitty) / 2A (Splitty Pro)  
 Occupancy Sensor: Built-in (Splitty Pro only)  
 C-UL-US Certified



\*Finish not available for Splitty Pro



Mounting Options\*



\*Limited finishes available on mounting options

Potential LEED Points

**Integrative Process** (Possible 2 points)

To support high-performance, cost-effective project outcomes through an early analysis of the interrelationships among systems. Konzept's LED desktop and task lighting provides finer control over lighting levels in occupied spaces. With personal lighting in place, elimination or downsizing of building lighting systems is possible.

**Interior Lighting** (Possible 2 points)

To promote occupants' productivity, comfort and well-being by providing high-quality lighting. All Konzept's task lighting products provide more than three lighting levels that are easily adjustable by occupants to suit their needs. Furthermore, all Konzept's task lighting products use high quality LED light sources with CRI over 80 and L70 rated lifespan over 50,000 hours. Desktop and task personal lighting also provides the opportunity to reduce overhead lighting.

